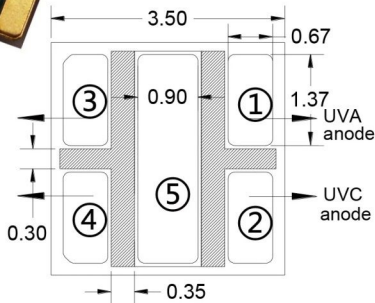
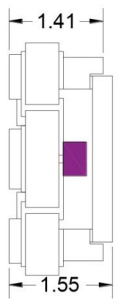


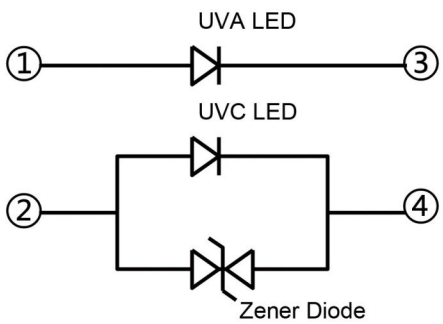
Top View



Bottom View



Side View



3 Photoelectric Characteristic Parameters

3.1 UVC Photoelectric Parameters & Specification Range @40mA (Ta=25°C, RH=30%)

Parameters	Symbol	Min	Max	Grade	Unit
UVC Peak Wavelength	λ_p	260	280	10	nm
UVC Radiant Flux	P_0	3	6	/	mW
UVC Forward Voltage	V_f	7	8	0.2	V

UVC Peak Wavelength Range:

Bin Code	W01	
Range (nm)	270~280	

UVC Radiant Flux Range:

Bin Code	P02		
Range (mW)	3~6		

UVC Forward Voltage Range:

Bin Code	V1	V2	V3	V4			
Range (V)	7.0~7.2	7.2~7.4	7.4~7.6	7.6~7.8			

Note:

[1] Maximum Operating Current is 110mA.

[1] A single device contains three different kinds of chips- UVA/UVC/Zener diode; Among them, Zener diode plays an ESD protection role on UVC LED.

[2] Outline Dimensions: 3.5×3.5×1.55 (L×W×H) [Unit: mm]. All dimensions are in millimeters.

[3] As shown in the figure above, ①② is Anode; ③④ is Cathode; ⑤ is Die Heat Sink.

[4] Different lots of lead-frame might have slight different appearances, but they are compatible each other for use.

[5] Tolerances unless otherwise mentioned are ±0.20 mm.